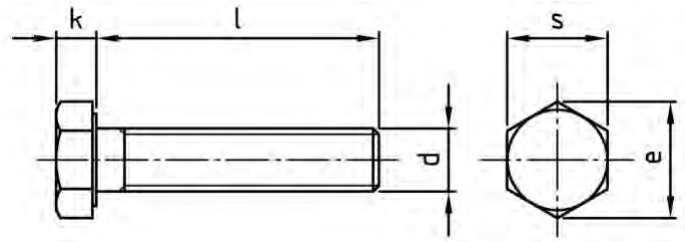


DIN 933 A4-70 M 12X50 Hexagon head screws



Materials:

A4

EAN/GTIN:

4043377093578

Net weight per 100 pc.:

5.200 kg

Number per package (VPE):

50 St.

Technical data

Diameter (d):	12 mm
Total length (l):	50 mm
Type of thread:	Metric
Height of head (k):	7,5 mm
Corner measurement (e):	21,1 mm
Head shape:	Hexagonal head
Drive size:	SW 19
Drive shape (drive):	Outer hex
strength class (Rm):	700 N/mm ²

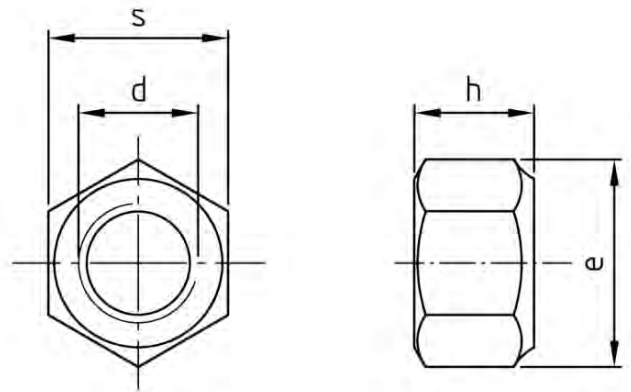
Applications

Ideal for screw connections in the machine and solar area.

Area of use

Machine construction, Solar

DIN 985 A4-80 M 12 Gleitmo Self-locking hexagon nuts, thin type



Materials:

A4

EAN/GTIN:

4043377124708

Net weight per 100 pc.:

1.500 kg

Number per package (VPE):

200 St.

Technical data

Diameter (d):	12 mm
strength class (Rm):	800 N/mm ²
Type of thread:	Metric
Corner measurement (e):	2,1 mm
Drive size:	SW 19
Drive shape (drive):	Outer hex
Measurement h (h):	12 mm

Area of use

Machine construction