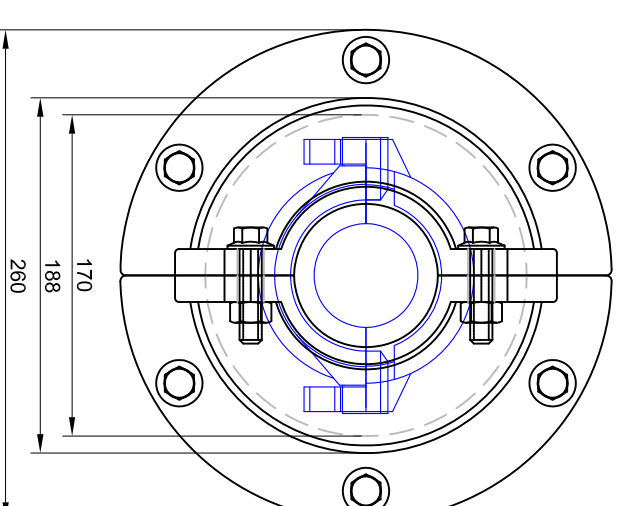


- Notes**
- Universal Coupling for joining any pipe with a shaft diameter of up to 73mm or with a maximum external socket diameter of 165mm.
 - Universal Coupling is used to join articulated pipe socket ends, or ball ends or repair broken pipes.
 - Material Spheroidal Graphite Cast Iron to ISO 1083/JS/400-15
 - Material Tensile strength 400MPa, Elongation 15%
 - Material wall thickness 9mm (+1 / -0.5mm)
 - General tolerances in accordance with ISO 8062-CT8
 - Requires bolting with fourteen A4 (316 grade) Stainless Steel M12 fixings comprising Hexagon Head Set Screw 50mm long; Form A Flat Washer; Split / Spring washer and Full Nut
 - Weight of one Casting in air 9.5 kg (38 kg for a complete Universal Coupling of 4 castings)



UTS Cable Limited

Cedar House, 105 Carrow Road, Norwich, NR1 1HP United Kingdom
 Tel: 00 44 1603 516242 Fax: 00 44 1603 516247 Email: pipe@utscable.com

Date: 12-03-14 Scale: NTS Sheet Size A3

Code: 986-999-319-003 Issue: 2

Title: Bulkhead Split Flange Application: Universal Coupling GA