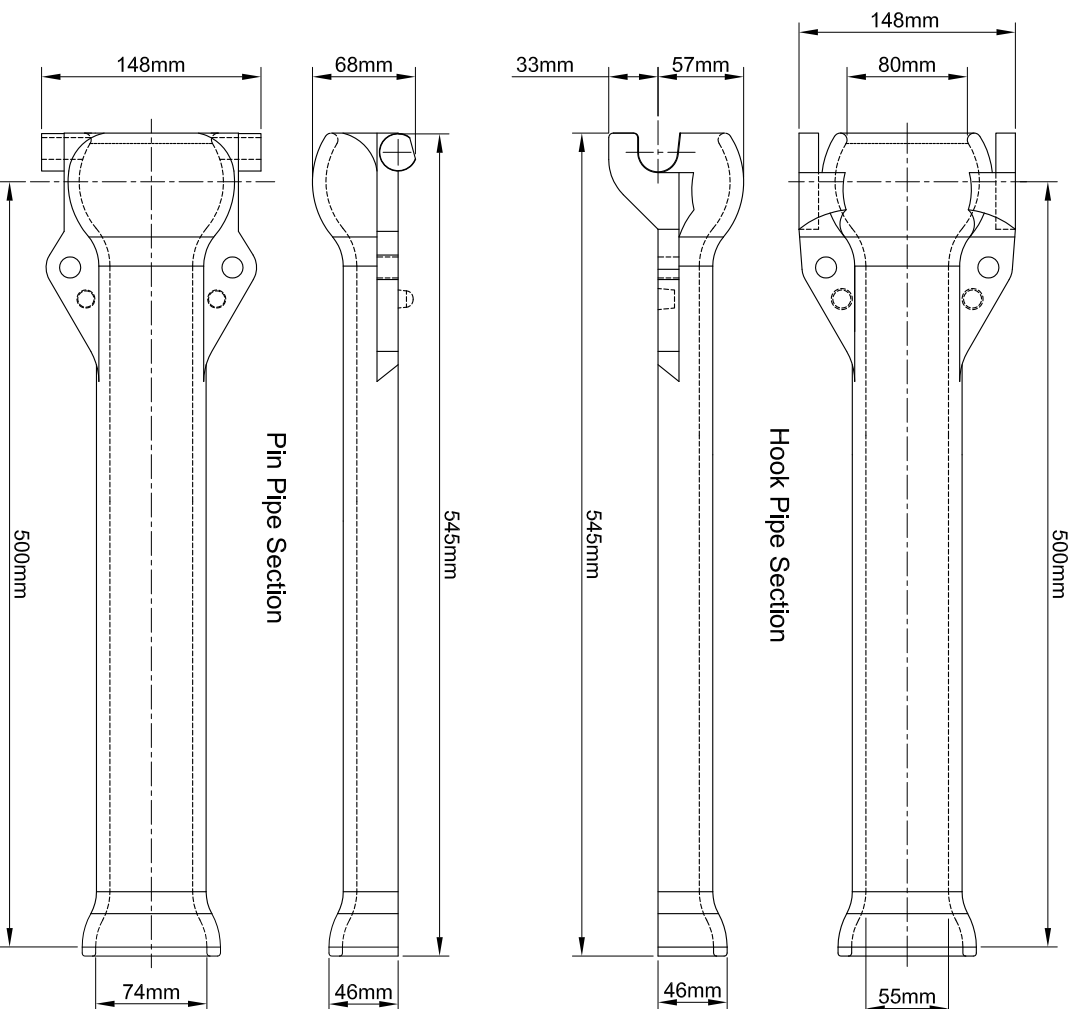


Technical Specifications

- Interlocking pipe halves with tool free assembly
- Internal diameter 55mm
- Effective installed length per segment pair 0.5m
- Material Spheroidal Graphite Cast Iron to ISO 1083/JS400-15/C
- Material Tensile strength 400MPa, Elongation 15%
- Material wall thickness 9mm (+1 / -0.5mm)
- Assembled minimum bending diameter >4m
- Weight per installed meter 17.6 kg in air, 15 kg in sea water
- General tolerances in accordance with ISO 8062-CT8
- Application and frequency of fixings to be determined by survey and customer specification. If fixings are chosen then recommend using two A4 (316 grade) Stainless Steel M12 x 50mm bolts with washers and nuts.



UTS Cable Limited

2nd Floor, Yare House, 62-64 Thorpe Road, Norwich, NR1 1RY United Kingdom
 Tel: 00 44 1 603 516440 Fax: 00 44 1 603 516247 Email: pipe@utscable.com

Date: 01-06-2015 Scale: NTS Sheet Size A4

Code: 986-999-307-001 Issue: 3

Title: Articulated Split Pipe 55mm